

PORTA ROMANA



Large Urchin Chandelier

MCL61 | Electric Blue

Electric Blue

HEIGHT
1000mm | 39 1/2"

CONSTRUCTED FROM
Forged steel with decorative finish

WATTAGE
60W



WIDTH
1000mm | 39 1/2"

WEIGHT
23.2kg | 51.25lbs

LAMP
200l (3.2w) Gold LED E27 Golf

MINIMUM DROP
1200mm | 47 1/4"

MATERIAL
Metal

VOLTAGE
220-240 V

TOTAL DROP
1600mm | 63"

FINISHES
Electric Blue

THIS PIECE REQUIRES A DEDICATED CARRIER AND
CHARGEABLE CRATE

Urchin Chandelier Large

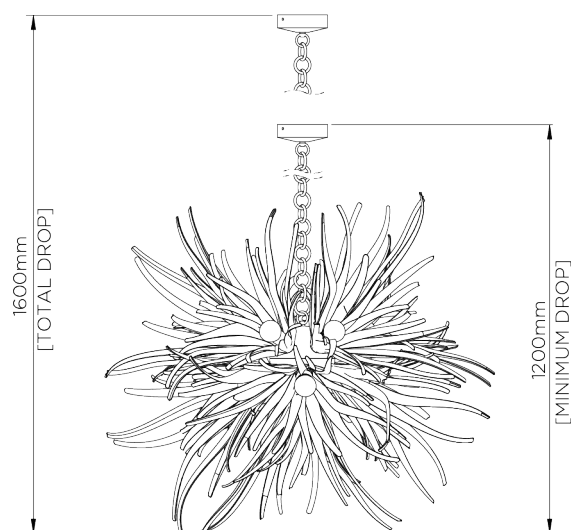
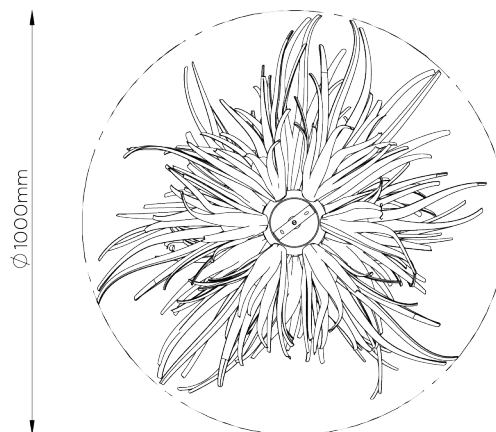
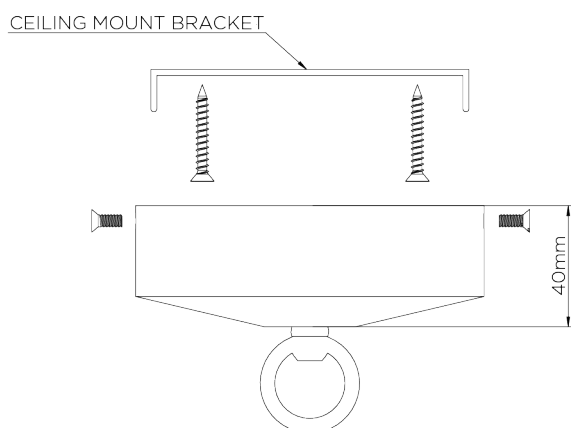
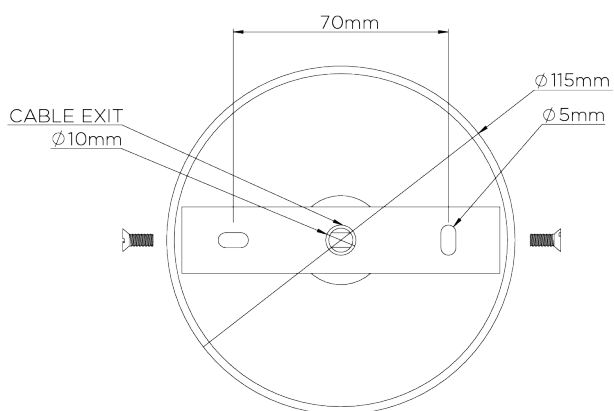
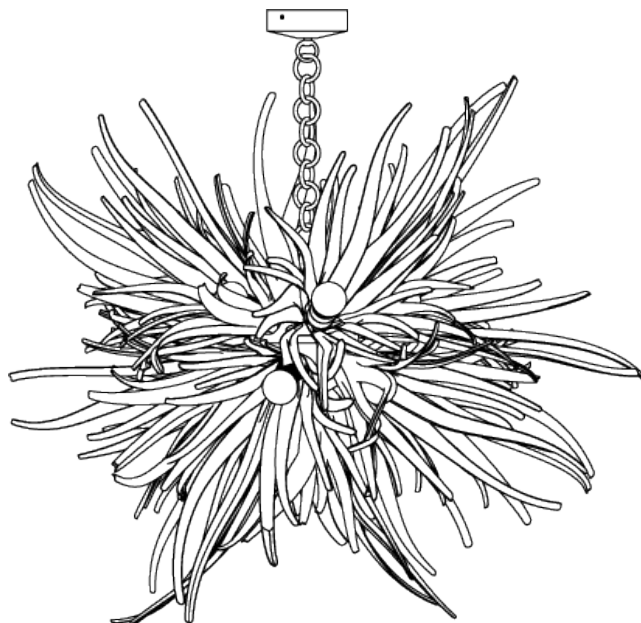
MCL61

WIDTH
1000mm | 39 1/2"

MINIMUM DROP
1200mm | 47 1/4"

MAXIMUM DROP
1600mm | 61"

DROPS AVAILABLE
2200mm / Custom



© Porta Romana 2024

Dimensions and weights are provided as a guide. All Porta Romana Products are made by hand and variations can occur in some products. The products you are buying or marketing are exclusive designs belonging to Porta Romana. Please do not submit design sheets featuring our products to other manufacturing companies nor to other parties who might. Any manufacturer found to be reproducing Porta Romana products will be breaching copyright law and will be actively pursued

PR

PORTAROMANA.COM